



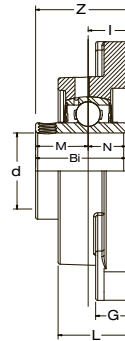
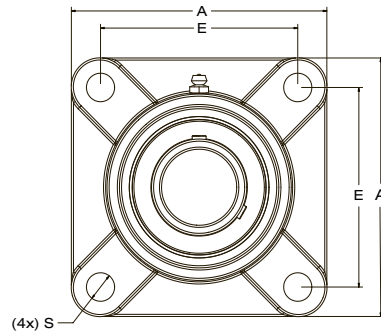
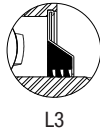
UCFX 00 SERIES

Normal-Duty 4-Bolt Flange Block
Setscrew Lock

TURNER

Mounted Bearings

Available Seal Styles:



Bearing Number	Shaft Dia. d in. mm.	Dimensions in. mm.										Bolt Used in. mm.	Load Rating lbs. kN.		Bearing Insert	Housing Number	Weight lbs. kg.	
		A	E	I	G	L	S	Z	Bi	N	M		Dynamic C _r	Static C _{0r}				
UCFX 05-14 †	7/8															UCX 05-14	F 206	3.1 1.4
UCFX 05-15 †	15/16	4.25	3.25	0.71	0.56	1.22	0.47	1.56	1.5000	0.6260	0.8740	7/16	4,377	2,569	UCX 05-15			
UCFX 05 †	25	108.0	82.6	18.0	14.0	31.0	12.0	40.2	38.1	15.9	22.2	M10	19.47	11.43	UCX 05			
UCFX 05-16 †	1															UCX 05-16		
UCFX 06-18 †	1 1/8															UCX 06-18	F 207	4.4 2.0
UCFX 06 †	30	4.61	3.63	0.75	0.63	1.34	0.55	1.75	1.6890	0.6890	1.0000	1/2	5,775	3,497	UCX 06			
UCFX 06-19 †	1 3/16	117.0	92.1	19.0	16.0	34.0	14.0	44.4	42.9	17.5	25.4	M11	25.69	15.56	UCX 06-19			
UCFX 06-20 †	1 1/4															UCX 06-20		
UCFX 07-22 †	1 3/8															UCX 07-22	F 208	5.7 2.6
UCFX 07 †	35	5.13	4.00	0.82	0.63	1.44	0.55	2.00	1.9370	0.7480	1.1890	1/2	6,634	4,079	UCX 07			
UCFX 07-23 †	1 7/16	130.0	101.6	21.0	16.0	36.0	14.0	51.2	49.2	19.0	30.2	M11	29.51	18.14	UCX 07-23			
UCFX 08-24 †	1 1/2															UCX 08-24	F 209	6.8 3.1
UCFX 08 †	40	5.38	4.13	0.88	0.71	1.50	0.63	2.06	1.9370	0.7480	1.1890	9/16	7,160	4,676	UCX 08			
UCFX 09-26 †	1 5/8															UCX 09-26	F 210	7.7 3.5
UCFX 09-27 †	1 11/16	5.63	4.38	0.88	0.71	1.56	0.63	2.18	2.0315	0.7480	1.2835	9/16	7,867	5,330	UCX 09-27			
UCFX 09-28 †	1 3/4	143.0	111.1	22.0	18.0	40.0	16.0	55.6	51.6	19.0	32.6	M14	35.00	23.71	UCX 09-28			
UCFX 09 †	45															UCX 09		
UCFX 10-30 †	1 7/8															UCX 10-30	F 211	10.3 4.7
UCFX 10-31 †	1 15/16	6.38	5.13	0.98	0.78	1.69	0.69	2.33	2.1890	0.8740	1.3150	5/8	9,743	6,608	UCX 10-31			
UCFX 10 †	50	162.0	130.2	25.0	20.0	43.0	17.0	59.4	55.6	22.2	33.4	M16	43.34	29.40	UCX 10			
UCFX 10-32 †	2															UCX 10-32		
UCFX 11-34 †	2 1/8															UCX 11-34	F 212	13.9 6.3
UCFX 11 †	55	6.88	5.63	1.13	0.79	1.88	0.69	2.69	2.5630	1.0000	1.5630	5/8	10,720	7,516	UCX 11			
UCFX 11-35 †	2 3/16	175.0	142.9	29.0	20.0	48.0	17.0	68.7	65.1	25.4	39.7	M16	47.69	33.43	UCX 11-35			
UCFX 11-36 †	2 1/4															UCX 11-36		
UCFX 12 †	60															UCX 12	F 213	15.8 7.2
UCFX 12-38 †	2 3/8	7.38	5.88	1.18	0.88	1.97	0.69	2.90	2.5630	1.0000	1.5630	5/8	12,859	8,994	UCX 12-38			
UCFX 12-39 †	2 7/16	187.0	149.2	30.0	22.0	50.0	17.0	73.7	65.1	25.4	39.7	M16	57.20	40.01	UCX 12-39			
UCFX 13-40	2 1/2															UCX 13-40	FX 13	17.2 7.8
UCFX 13	65	7.38	5.88	1.34	0.81	2.31	0.71	3.09	2.9370	1.1890	1.7480	9/16	13,981	9,869	UCX 13			
UCFX 14-43	2 11/16															UCX 14-43	FX 14	20.2 9.2
UCFX 14	70	7.75	6.00	1.46	0.94	2.38	0.79	3.22	3.0630	1.3110	1.7520	11/16	14,974	10,757	UCX 14			
UCFX 15-47	2 15/16															UCX 15-47	FX 15	24.6 11.2
UCFX 15	75	7.75	6.00	1.56	0.94	2.69	0.79	3.50	3.2520	1.3110	1.9409	11/16	16,325	11,992	UCX 15			
UCFX 15-48	3	197.0	152.4	40.0	24.0	68.0	20.0	89.3	82.6	33.3	49.3	M18	72.62	53.35	UCX 15-48			
UCFX 17	85															UCX 17	FX 17	33.0 15.0
UCFX 17-55	3 7/16	8.44	6.75	1.56	0.94	2.75	0.79	3.81	3.7795	1.5630	2.2165	11/16	21,546	16,329	UCX 17-55			
UCFX 17-56	3 1/2	214.0	171.5	40.0	24.0	70.0	20.0	96.3	96.0	39.7	56.3	M18	95.84	72.64	UCX 17-56			
UCFX 20	100															UCX 20	FX 20	42.5 19.3
UCFX 20-63	3 15/16	10.56	8.31	2.31	1.13	3.81	1.13	5.00	4.6260	1.9370	2.3740	1	29,339	23,141	UCX 20-63			
UCFX 20-64	4	268.0	211.1	59.0	28.0	97.0	28.0	127.3	117.5	49.2	60.3	M24	130.51	102.94	UCX 20-64			

† See attached page "Alternate Housing Numbers"

Alternate Housing Numbers

† Sometimes housings are used to make more than one type (i.e. duty level) of mounted bearing unit. For instance, a medium-duty housing (i.e. PX 00 series) might be used to create a normal-duty (i.e. P 200 series) unit.

For example, if you order a UCP 213 pillow block, you may receive a P213 Housing or a PX12 housing. These two housings are dimensionally identical.

The table below shows the catalog number (minus the shaft designation) and the two possible housing numbers.

LIST OF ALTERNATE HOUSING NUMBERS

Catalog Part Number*	Housing Number	Alternate Housing Number
UCP 213	P 213	PX 12
UCP 214	P 214	PX 13
HCAK 208	AK 208	P 208
HCAK 214	AK 214	PX 13
UCFX 05	FX 05	F 206
UCFX 06	FX 06	F 207
UCFX 07	FX 07	F 208
UCFX 08	FX 08	F 209
UCFX 09	FX 09	F 210
UCFX 10	FX 10	F 211
UCFX 11	FX 11	F 212
UCFX 12	FX 12	F 213
UCHA 211	HA 211	HA 212
UCHA 214	HA 214	HA 215
UCFCSX 05	FCSX 05	FCS 206
UCFCSX 06	FCSX 06	FCS 207
UCFCSX 07	FCXS 07	FCS 208
UCFCSX 08	FCXS 08	FCS 209
UCFCSX 09	FCXS 09	FCS 210
UCFCSX 10	FCXS 10	FCS 211
UCFCSX 11	FCXS 11	FCS 212
UCFCSX 12	FCXS 12	FCS 213
UCFCSX 13	FCXS 13	FCS 214
UCFCSX 14	FCXS14	FCS 215

*Minus shaft designation